



# HEBEI ENYANG I/E TRADING CO., LTD

Polyester Monofilament mesh/fabric

MESH COUNT		DIAMETRER	OPENING	OPEN AREA	THICKNESS	THEORETICAL INK VOLUME
Per cm	Per inch	µm	µm	%	µm	g/m <sup>2</sup>
6	15	400	1300	65	790	560
10	25	250	743	55	495	274.0
12	30	140	686	68	277	189.0
12	30	250	578	48	495	239.0
16	40	90	545	74	171	128.5
16	40	150	461	58	238	139.0
20	50	100	380	62	170	105.0
20	50	150	347	48	255	123.0
24	60	100	301	56	170	95.0
24	60	120	282	49	204	99.0
24	60	140	263	42	238	100.0
28	70	80	263	58	136	79.0
28	70	100	244	50	170	85.0
32	80	64	236	61	109	67.0
32	80	80	221	53	136	73.0
32	80	100	202	44	170	75.0
32	80	120	183	36	204	74.0
34	86	100	184	42	170	71.0
36	90	80	188	49	136	66.0
36	90	90	178	44	153	67.0
36	90	100	169	39	170	66.0
39	100	55	191	60	94	56.0
39	100	64	183	54	109	59.0
39	100	71	176	50	121	61.0
39	100	80	168	45	136	62.0
39	100	100	149	35	170	60.0
43	110	64	160	51	109	55.0
43	110	80	145	41	136	56.0
47	120	55	150	53	94	50.0
48	122	70	135	42	121	51.0
53	135	48	140	55	90	49.5
53	135	55	127	48	94	45.0

MESH COUNT		DIAMETRER	OPENING	OPEN AREA	THICKNESS	THEORETICAL INK VOLUME
Per cm	Per inch	µm	µm	%	µm	g/m <sup>2</sup>
54	137	64	118	42	109	45.0
54	137	70	112	37	121	45.0
59	150	48	121	51	85	43.4
59	150	55	114	48	108	49.7
59	150	64	105	39	119	48.4
59	150	70	99	34	122	41.5
62	160	55	103	41	94	38.0
62	160	64	95	34	109	37.0
64	162	55	96	39	94	36.0
64	162	64	88	32	109	35.0
68	173	55	92	39	102	39.8
72	180	48	91	43	89	38.3
72	180	55	84	37	100	37.0
77	195	48	82	40	89	35.6
77	195	55	75	33	108	35.6
80	200	48	77	38	89	33.8
80	200	55	70	31	110	34.1
90	230	40	68	38	68	26.0
90	230	48	62	32	92	29.4
100	255	40	60	36	72	25.9
110	280	40	51	31	79	24.5
120	305	31	52	39	53	20.7
120	305	34	49	35	71	24.9
120	305	40	43	27	72	19.4
130	330	34	36	26	58	15.0
140	350	30	42	34	61	20.7
140	350	34	38	28	67	18.8
150	380	30	37	30	60	18.0
150	380	34	33	2	62	14.9
165	420	30	30	25	56	14.0
165	420	27.0	34	22	52.0	18
180	460	27.0	27	26	44.0	11.4



Polyester monofilament mesh/fabric is one of best materials for screen printing, drying and filtration in the world.

Polyester mesh has high strength, corrosion resistance, good abrasion resistance, and long life. So it is widely used for screen printing, beneficiation, flour, wastewater treatment, sugar refining, pharmaceuticals, ceramics, food (fruit and vegetable juice pressing), paper, and coal washing industry



## Screen Printing Application

Monofilament nylon mesh features the flexibility and elasticity of Nylon PA6 yarn.  
So NYLON MESH ideal for printing onto curved or rigid surfaces or abrasive substrates.

### Features:

Good mechanical and chemical resistance

Excellent emulsion adhesion

Flexible and elastic

fishing and other industries.



MESH NUMBER	MESH COUNT	THREAD DIAMETER	MESH OPENING	WEAVING	OPEN AREA	THICKNESS	WEIGHT
mesh/cm	mesh/inch	μm	μm		%	μm	g/m <sup>2</sup>
4	10	600	1900	PW	60	1100	251
5	13	500	1500	PW	55	1000	270
6	15	400	1254	PW	57	800	199
7	18	350	1068	PW	56	700	183
8	20	350	891	PW	51	700	203
9	23	250	861	PW	59	500	125
9	23	300	811	PW	52	570	208
10	25	250	750	PW	55	500	130
10	25	300	700	PW	48	600	187
12	30	250	583	PW	48	500	156
12	30	300	533	PW	40	600	224
14	35	300	414	PW	33	510	261
16	41	200	425	PW	45	340	136
20	50	150	350	PW	48	255	93
20	50	200	300	PW	35	340	166
24	60	150	267	PW	40	255	112
28	71	120	237	PW	43	204	84
30	76	120	213	PW	40	204	91
32	81	100	213	PW	45	170	66
32	81	120	193	PW	40	204	91
36	91	100	178	PW	40	170	75
40	100	100	150	PW	35	170	83
40	100	100	150	PW	35	170	83
43	110	80	153	PW	42	136	58
48	122	80	128	PW	37	136	64

## Industry Filter Application

**Feature:** Nylon mesh has high toughness, high tension strength, low elongation, good elasticity, corrosion resistance, oil resistance, water resistance, wear resistance,

high temperature resistance, weather resistance and other characteristics; also has good insulation, low coefficient of lubricating properties.

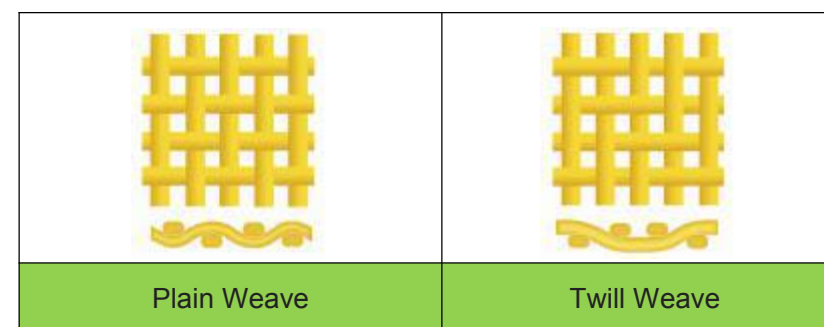
**Use:** Widely used in industrial filtration, petroleum, chemical, construction



MESH NUMBER	MESH COUNT	THREAD DIAMETER	MESH OPENING	WEAVING	OPEN AREA	THICKNESS	WEIGHT
mesh/cm	mesh/inch	μm	μm		%	μm	g/m <sup>2</sup>
56	142	60	119	PW	43	102	42
64	163	60	96	PW	37	102	49
72	183	50	89	PW	40	85	38
80	203	50	75	PW	35	85	42
90	229	43	69	PW	39	71	33
100	254	43	57	PW	31	80	37
110	279	43	48	PW	25	76	41
120	305	43	40	PW	21	80	45
130	330	35	42	PW	17	73	51
140	355	35	37	PW	22	60	36
157	399	43	25	TW	21	58	33
180	457	39	20	TW	***	***	***
200	508	39	15	TW	10.2	57	31
220	559	39	10	TW	***	***	***
240	600	39	5	TW	***	***	***

Normal width: 115cm, 127cm, 145cm, 150cm, 160cm, 184cm, to the max 295cm

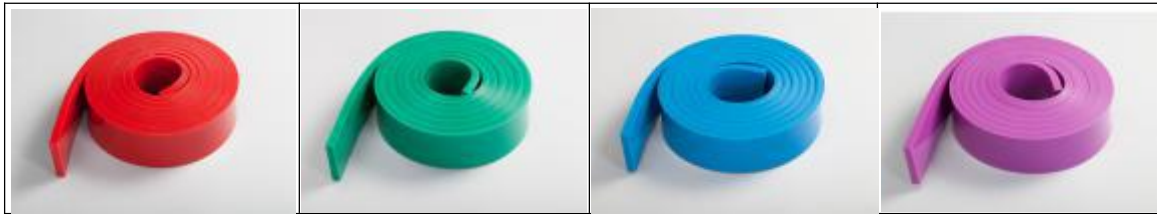
PW: plain weave TW: twill weave



Plain Weave

Twill Weave

## Screen printing squeegee



Main product catalogue:

I Series: Suitable for garment and textile printing at a competitive price

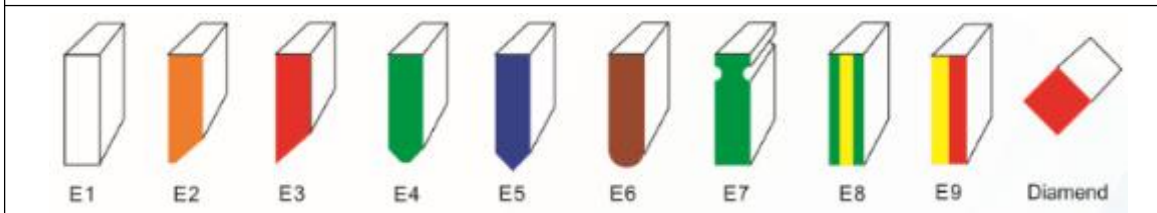
II Series: good all round product with abrasion and chemical resistance

TW Series: very high solvent and chemical resistance

AAA+ Series: Very high abrasion resistance & deformation resistance

	I	II	AAA+	TW	Dirmond	Tolerance
Thickness	3-20mm				9.5/10mm	±0.3mm
Width	10-1000mm				9.5/10mm	±1.00mm
Length	4000mm/3660mm/2000mm/1000mm				180-200mm	±5mm
Hardness	55-85	55-85	65-95	55-90	65-90	±3 A

Hanze Ltd supply a full range of squeegee edge profiles as follow:



## Triple Durometer PU squeegee blade



Square edge Composite Triple hardness blade, a 90 A central strip supports two faces of softer squeegee material. This combination gives the printer the responsiveness of a medium hard blade without the undesired flexing created by increased secondary force squeegee pressure. This is excellent for printing on high mesh counts with high tension, and increased squeegee pressure making it useful in large format, high speed, flat bed and cylinder machines. Excels in printing four color process work or halftone jobs on automatic presses

## FGB squeegee (Fiber glass board squeegee)

FGB Series are mostly used for solar cell manufacturing factory.

The backing construction provide the consistent results with even pressure and a constant printing angle.

### Features:

\*Imported Japanese polyurethane technology to provide the highest level of chemical and abrasion resistance;

\*Ultra sharp printing edges provide excellent print quality and accuracy, Very High Edge Retention

\*Longer printing runs and less downtime.



Item	Height/mm (±0.5mm)	PU blade Thickness(±0.5mm)	Fiber Thickness(±0.5mm)	Hardness(A) (±3 A)
FGB120930/**	30 mm	9 mm	1.2 mm	
FGB120950/**	50 mm	9 mm	1.2 mm	
FGB201950/**	50 mm	9 mm	2.0 mm	
FGB300950/**	50 mm	9 mm	3.0 mm	

## FCA squeegee (Fiber carbon antistatic squeegee)

\*The Anti-static formulation avoids electrostatic charges even if the squeegee is used at a fast speed.

\*The precision squeegee edge suitable for the more finner line, provide exceptional print quality & accuracy.

\*Made from Japanese material & the state-of-the-art technology to create excellent FCA squeegee, less downtime and fewer rejects to improve output.



Item	Height/mm (±0.5mm)	PU blade Thickness(±0.5mm)	Fiber Thickness(±0.5mm)	Hardness(A) (±3 A)
FCA120550/**	50	5	1.2	
FCA120750/**	50	7	1.2	
FCA120950/**	50	9	1.2	

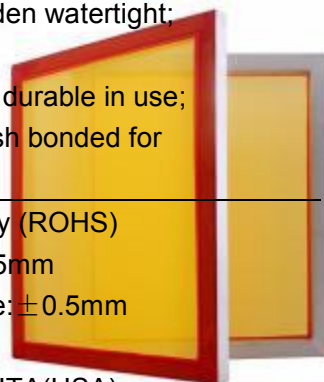
Textile Screen Printing Frame	
Outside Diameter	Profile
10" X 14"	1" X 1"
12.5" X 17.5"	1" X 1"
14.5" X 17.5"	1" X 1"
12" X 24"	1-3/8" X 1-3/8"
18" X 20"	1-3/8" X 1-3/8"
20" X 24"	1-3/8" X 1-3/8"
14" X 30"	1-1/2" X 1-1/2"
18" X 36"	1-1/2" X 1-1/2"
23" X 31"	1-1/2" X 1-1/2"
25" X 36"	1-1/2" X 1-1/2"
30" X 43"	1-1/2" X 1-1/2"
36" X 48"	1-1/2" X 2"
42" X 54"	1-1/2" X 2"

Textile Screen Printing Frame	
Outside Diameter	Profile
43 X 53 cm	30*30*1.6 mm
51 X 61 cm	30*30*2.0 mm
53 X 73 cm	30*30*2.0 mm
61 X 78 cm	38*38*1.6/1.8 mm
63 X 83 cm	38*38*1.8 mm
73 X 93 cm	40*40*2.0 mm
93 X 118 cm	40*40*2.0 mm

**Features:**

- Lightweight for ease of handling;
- Coners welded&welden watertight;
- Ground smooth;
- Free of deformation, durable in use;
- Sandblasting on mesh bonded for excellent adhesion;

Material:6063T5 alloy (ROHS)  
 O.D. Tolerance:±0.5mm  
 Planeness Tolerance:±0.5mm  
 Environmental Glue:  
 CHEMBOND 2000-HTA(USA)  
 KIWOBOND 2800(Germany)



Common Size For screen printing frame			
Model	Profile	Section	Outside Diameter
S1	18*22*1.0 mm		200*300 mm
S2	20*30*1.0 mm		250*350 mm
S3	20*30*2.0 mm		300*400 mm
S4	15*25*1.6 mm		350*450 mm
M1	25*38*1.2 mm		400*500
M2	25*38*1.0 mm		300*400
M3	25*38*1.4 mm		500*600
M4	30*35*1.5 mm		600*700
M5	28*43*1.4 mm		700*800
M6	28*43*1.7 mm		800*900
M7	30*40*2.0 mm		700*800
M8	30*40*3.0 mm		700*800
M9	40*40*2.2 mm		800*900
H1	28*43*1.4 mm		800*900 mm
H2	30*40*2.0 mm		900*1000 mm
H3	30*40*2.5 mm		950*1050 mm
H4	30*40*3.0 mm		1050*1050 mm
H5	30*50*2.5 mm		1050*1050 mm
H6	35*50*2.5 mm		1000*1200 mm
A1	35*50*2.8MM		1000*1500MM
A2	40*70*2.0MM		1500*2500MM
A3	44*88*2.2MM		2000*2500MM
A4	45*100*2.6MM		2000*4000MM
N1	35*50*2.8MM		1000*1500MM
N2	40*70*2.0MM		1500*2500MM
N3	44*88*2.2MM		2000*2500MM
N4	45*100*2.6MM		2000*4000MM

Please according to the categories and printing requirements of your company, at the same time, reference the "Conventional OD "in the form, to choose the most suitable material; unqualified aluminum frame can cause the following quality problem: mesh distortion, tension reducing, shorten the service life, Screen serious deformation, Printing shift etc; frame size selection must depend on the area of the printing and printing type, Printable area of the external usually should leave enough space for the ink area!

Profile/Section	Inner Diameter
25*25*1.0 mm	300*400 mm
30*30*1.0 mm	400*450 mm
25*40*1.0 mm	400*450 mm
25*40*1.0 mm	600*800mm
25*40*1.0 mm	700*900 mm
30*40*1.2 mm	600*800 mm
30*50*1.8 mm	1000*1200 mm
35*60*1.8 mm	1200*1500 mm
35*70*1.6 mm	1200*1500 mm



These profile are suitefor table-pipelining manual printing:such as T-shirt,plastic,toy,and leather and so on.These frames are used by manual printing on table only.



SMT Frame		
Outside Diameter	Profile	Max.bear Tension
550 X 600 MM	30 X40 MM	≤ 45 N/cm
550 X 650 MM	30 X40 MM	≤ 45 N/cm
15" X 20"	25.4 X 38.1 MM	≤ 45 N/cm
23" X 23"	12.7 X 38.1 MM	≤ 45 N/cm
23" X 23"	25.4 X 38.1 MM	≤ 45 N/cm
29" X 29"	12.7 X 38.1 MM	≤ 45 N/cm
29" X 29"	38.1 X 38.1 MM	≤ 45 N/cm
29" X 29"	40 X 40 MM	≤ 50 N/cm

The Pre-stretched Frames are most commonly used in SMT industry:

**Features:**

- Raw Material:AL6063 T5 Alloy meets the standard of European RoHS.
- Uniformity of Stretching Tension : +/-0.5N/cm
- Tension: 34-36N/cm (measured by TETKO MAT 7-50N/CM Tension Meter)
- Mesh: 24T-150um tension-stabilized and low elongation polyester mesh
- Glue: Japan Epoxy A B Glue

## Inkjet Film

<p><b>Hanze Ltd</b> offers different specifications of films can meet the demand of various-industries. Widely used in variety of inkjet printers for digital images, text printing, inkjetplate-making, laser printing plate-making, slide making, card making, circuit board designing image and so on</p>	
<p><b>Eco-solvent inkjet clear PET film</b>                  A. Waterproof                  B. Super transparent                  C. Suitable for eco-solvent inks and printers</p>	
<p><b>Water based inkjet clear PET film</b>                  A. Non-waterproof                  B. Super transparent                  C. Suitable for dye and pigment ink and printers                  D. Eco-friendly</p>	
<p><b>Waterproof milky inkjet PET film</b>                  A. Waterproof                  B. Milky color                  C. Suitable for dye and pigment ink and printers                  D. Eco-friendly</p>	
<p>Specification,                  Material: PET 100micron                  Sheet: A2, A3, A3+, A4... (100sheets/box 5 boxes / pack)                  8.5"x11", 8.5"x14", 11"x17", 13"x19", 17"x22" ...                  Rolls: 13", 17", 24", 36", 42", 44", 50", 54", 60" width. Length in 30m/50m/100' or others.                  Other request available.</p>	
<p>Features &amp; Benefits</p> <ul style="list-style-type: none"> <li>• high-resolution, instant-drying, excellent ink absorption.</li> <li>• Excellent dot sharpness and solid black reproduction for superior image quality</li> <li>• Stay-Flat anti-curl</li> </ul>	

## Pallet Protective tape

### Introduction:

Pallet Protective tape constructed with white translucent latex saturated paper and water based natural latex.

The main application is the protection for textile printing pallets From ink spills, leaks and spray adhesives.

Features include easy unwind, trouble-free transfer, no adhesive residue, reduce pallet clean-up time by 75%



Model	PM50	PH50	PM70	PH70
Adhesion(g/25mm)	200-400	400-700	200-400	400-700
Base Weight(g/m2)	50+/-3	50+/-3	70+/-3	70+/-3
Width	500-1350	500-1350	500-1350	500-1350
Length	100	100	100	100
Storing(months)	12	12	12	12
Tensile Strength (kg/cm)	Horizontal	≥2.0	≥2.0	≥3.0
	Vertical	≥3.0	≥3.0	≥4.0
Tear Strength (mN)	Horizontal	≥320	≥320	≥600
	Vertical	≥280	≥280	≥500

### Common Specification:

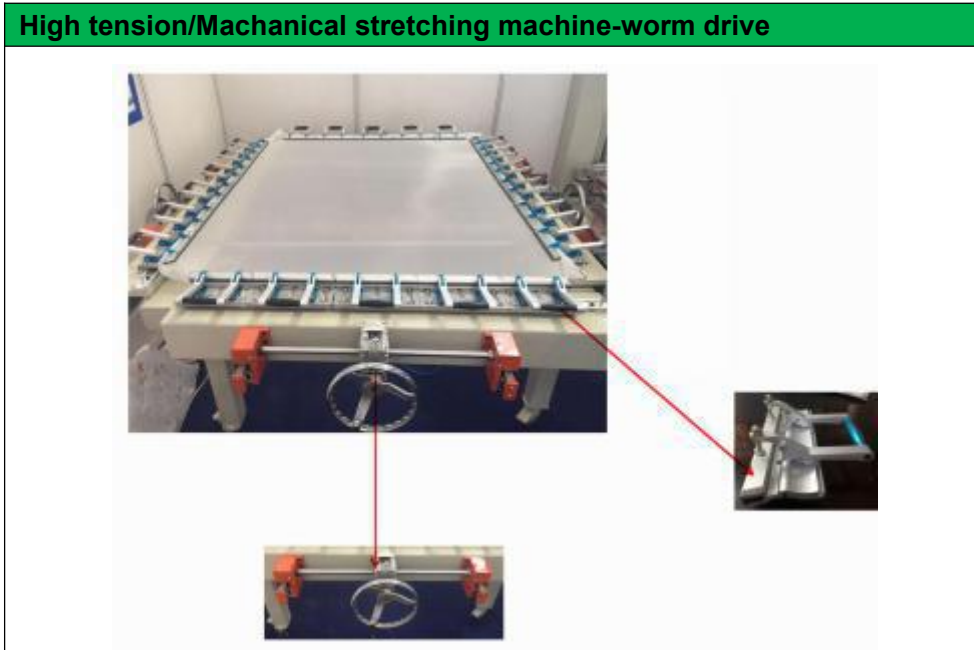
500mm\*100m    550mm\*100m    600mm\*100m  
 650mm\*100m    700mm\*100m    1200mm\*100m

For other special specifications can provide cutting



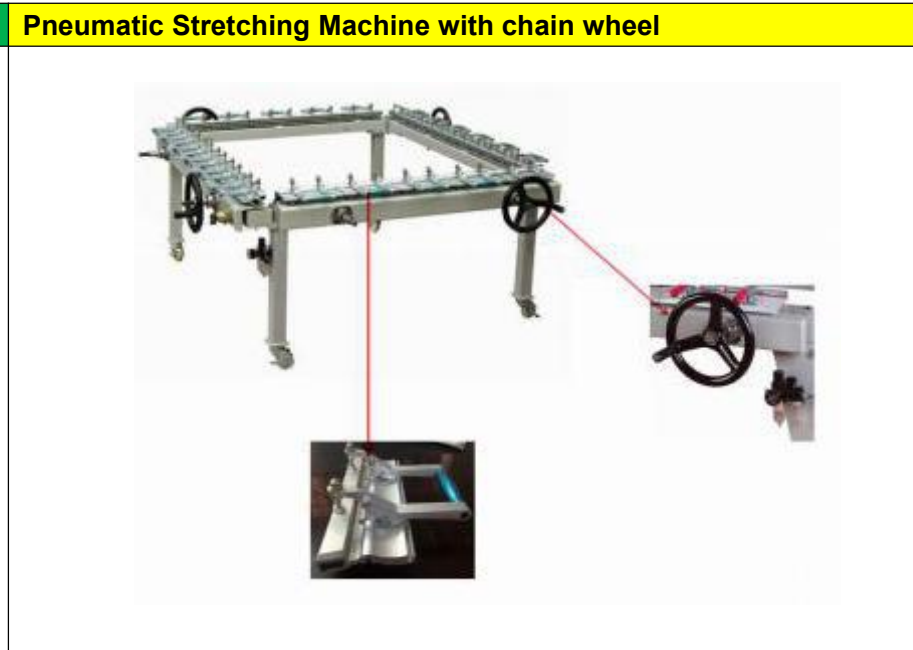
### Storage conditions:

Do not transport store with volatile organic solvent, avoid direct sunlight, rain. It should be stored at a temperature of 10°C to 30°C and a humidity of 40% to 70%. Buy for the best performance within 6 months after purchase. The platen mask should be placed.



- 1.Ultra-high-precision screw adjustment,the tension tolerance is  $\pm 0.5N/cm^2$
- 2.Mesh stretcing size can be adjusted
- 3.Suitable for high-precision electronic printing screen,multi-color over print screen special tension requirements.

Model	Max Stretching Size(MM)	Min Stretching Size(MM)
M1012	1000 X 1200	400 X 600
M1215	1200 X 1500	600 X 600
M1515	1500X 1500	600 X 800
M1520	1500 X 2000	600 X 1000



1. This double chuck sretch clamp can stretch high stable tension.
2. With rubber insert inside can protect mesh well .
3. The machine can supply different tension.
4. We also can supply the different size of screen printing machine

Model	Max Stretching Size(MM)	Min Stretching Size(MM)
P1012	1000 X 1200	400 X 600
P1215	1200 X 1500	600 X 600
P1515	1500 X 1500	600 X 800
P1520	1500 X 2000	600 X 1000

	Model	QD4075
	Cylinder Diameter	$\phi 40$ mm
	Jaw width	30cm
	Stroke	75cm
	overall length	
	Model	QD40100
	Cylinder Diameter	$\phi 40$ mm
	Jaw width	30cm
	Stroke	100cm
	overall length	
	Model	QD63100
	Cylinder Diameter	$\Phi 63$ mm
	Jaw width	25cm
	Stroke	100cm
	overall length	46cm
	Model	QD40200
	Cylinder Diameter	$\Phi 40$ mm
	Jaw width	25cm
	Stroke	200cm
	overall length	72cm

**Manual Stretcher**  
 Cost-effective  
 Easy Combination  
 Simplicity of Operation  
 Min Stertching Size:25\*25cm  
 Max Stretching Size:60\*60cm  
 Max Stretching Tension:50N/cm  
 Gross Weight:20.00kgs

Screen Printing Hinge Clamp		
	Max Thickness of Screens	below 2" (51mm)
	Height	3.5" (90mm)
	Length of Clamp	2.4" (60mm)
	Net weight	410g
	Max Thickness of Screens	below 2" (51mm)
	Height	3.5" (90mm)
	Length of Clamp	2.8" (70mm)
	Net weight	710g



## Sreen printing backlit washout booth

Made by durable and chemical resistant 1/4" polypropylene easy to backlight through its translucent back panel.

Unit measure: 32"W X 24"L X 64"H

Packing size: 85cm\*85cm\*25cm

### Features

Welded main pan

Locking side and back panels

Built-in screen supports

1/4-inch natural polypro construction

Easy to backlight

Easy to assemble

Bolt on legs



	<p>Convenient, space-saving portable for drying and storing screens Constructed of aluminum Tray size: 20"*24", 23"*31" 20/30 layers as your requirements Apart height: 2"/5cm</p>
	<p>Tray size: 650*900mm Layer NO.: 25/50 Apart height: 2.5cm Bar diameter: 3*5mm</p>
	<p>Tray size: 650*1000mm Layer NO.: 25/50 Apart height: 2.5cm Bar diameter: 3*5mm</p>

### Scoop Coater ---TYPE NY



It is one of the most competitive and best designed emulsion scoop coaters for screen printing industry. They are designed for easy and comfortable handling while providing a smooth layer of emulsion on your screen. The coating angle is designed on a perfect angle. It's calibrated to give you a perfect coating of emulsion every time.

### Scoop Coater ---TYPE DG



(Dual edge: both thick and thin) design permits coating emulsion thicker or thinner on the screen.  
Thinner coats are usually desirable on higher mesh count (200mesh and above) for half-tones and finer detail like 4-color process;  
Thicker coats are usually used for spot color on lower mesh counts (below 200mesh).

### Scoop Coater ---TYPE GB



Easy & comfortable handling;  
Controlled coating deposit;  
Uniform coating of emulsions and blockouts;  
Designed with high quality aluminum material;  
Plastic ends are permanent for easy cleaning & no leaking, screws fix covers;  
Special aluminum cover to protect the emulsion.





### Suqeegee Rack







### Suqeegee Cutter



Alu Suqeegee Handle/Ergoforce	Alu Suqeegee Handle---TYPE LH	Alu Suqeegee Handle---TYPE FG	Alu Suqeegee Handle/TYPE WH	Wooden Squeegee Handle
				

Plastic Ink Spatulas-A	Plastic Ink Spatulas-B	Plastic Ink Spatulas-C	Plastic Ink Spatulas-T
			

Stainless Steel Spatulas	Stainless Steel Spatulas	Stainless Steel Spatulas	Stainless Steel Spatulas
<p>Size:4",5",6",7",8",9",10",12",14",16",18"</p> 	<p>Size:1#,2#,3#,4#</p> 		





# HEBEI ENYANG I/E TRADING CO., LTD

---